

# TECHNICAL GUIDE

CAL. Y514

## ANALOGUE QUARTZ

### INTRODUCTION

The Y514 employs the movement used in Y513. The glass retaining construction is of a plastic gasket which retains the glass. (For details, refer to cross-sectional view of case.)

### Y514 (150m diver's watch)

#### 1. Remarks for repair

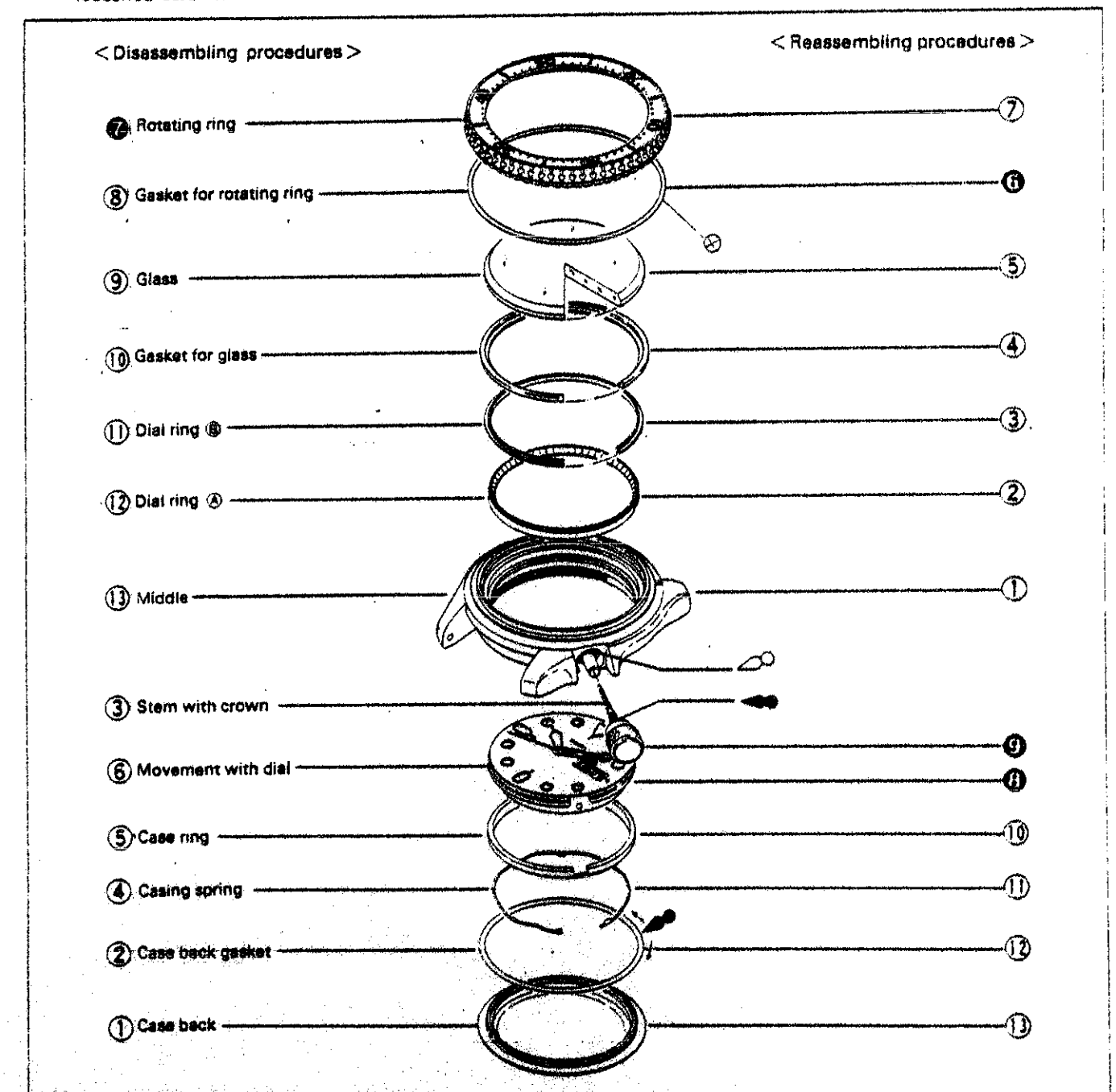
Trouble with a diver's watch may endanger the life of the diver. Therefore, efforts are always being made to ensure the quality required. In repair take good note of the points mentioned below.

- 1-1 Repair the watch in a room without dust and lint, and with low humidity.
- 1-2 Be sure to check that the hands move smoothly.
- 1-3 Be sure to check if there are any glass defect and loosened screws.

- 1-4 After repair, conduct the water resistant test. We recommend to use "Bergeon 5395 (testing capacity, 0-50 Atm.)" for water resistant test.
- 1-5 Be sure to check that the strap is fixed to the case-band correctly. (Push pin, buckle.)

#### 2. Disassembling, Reassembling and Lubricating

The remarks for disassembling and reassembling of the parts with the white numbers are given in the next and following pages.

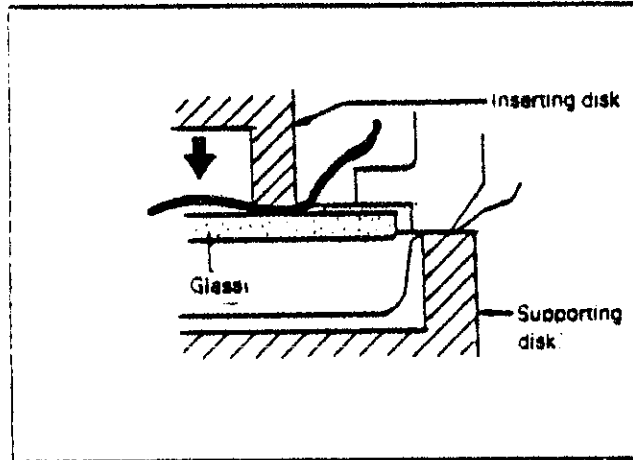


# DISASSEMBLING AND REASSEMBLING OF GLASS RETAINING SECTION

## Disassembling procedures

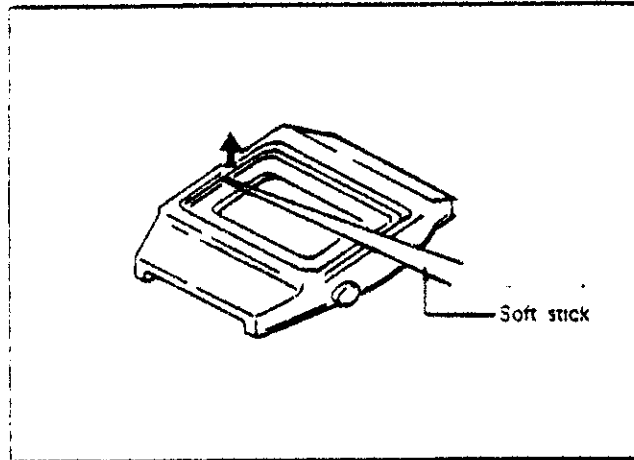
### Step 1

- Depress the glass through the panel cover and dial ring from inside.



### Step 2

Glass packing (Plastic)



### Step 3

Panel cover or dial ring

Note: The inside of the glass used in Y514 is treated to prevent moisture collection. Place a vinyl sheet or the like to protect the glass against scratches.

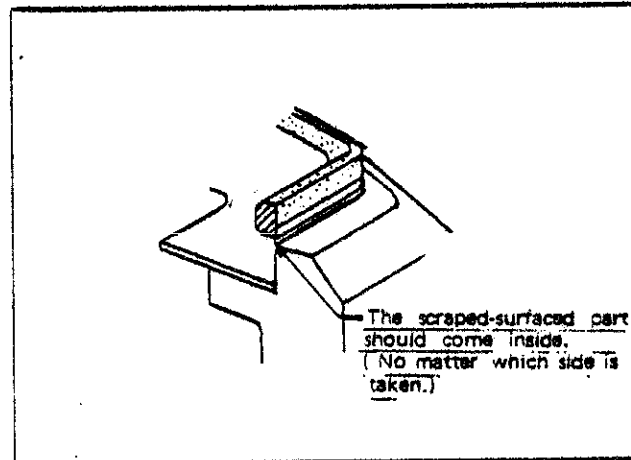
## Reassembling procedures

### Step 1

Panel cover or dial ring

### Step 2

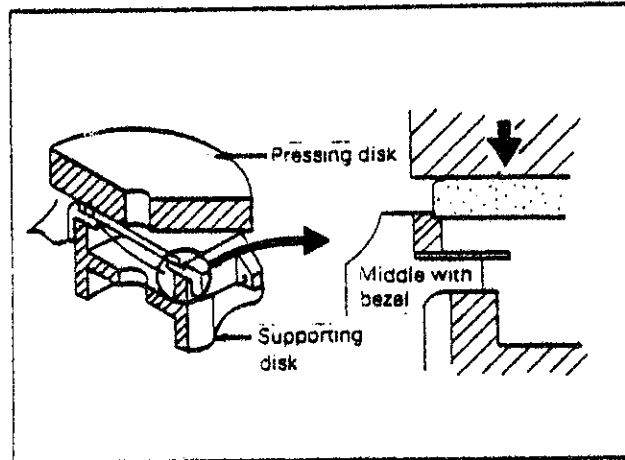
Glass packing (Plastic)



### Step 3

Glass

Depress the glass horizontally.

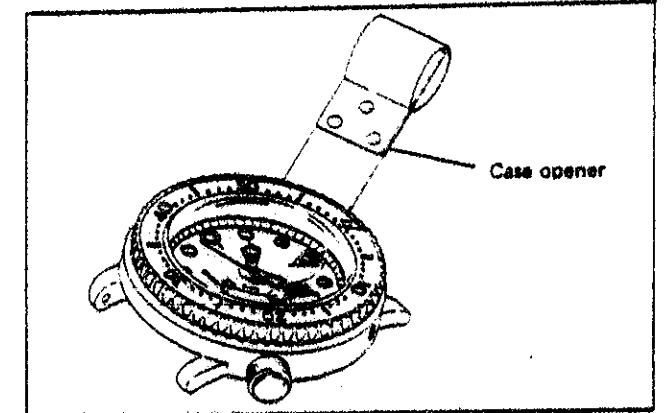


Note: For the models other than those equipped with speaker frame, support the middle with bezel inside.

## 2-1 Remarks for Disassembling

### ⑦ Rotating ring

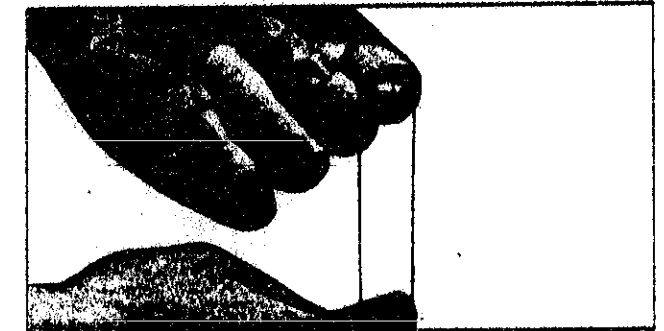
Put the case opener into the opening notch of the rotating ring to remove.



## 2-2 Remarks for Reassembling

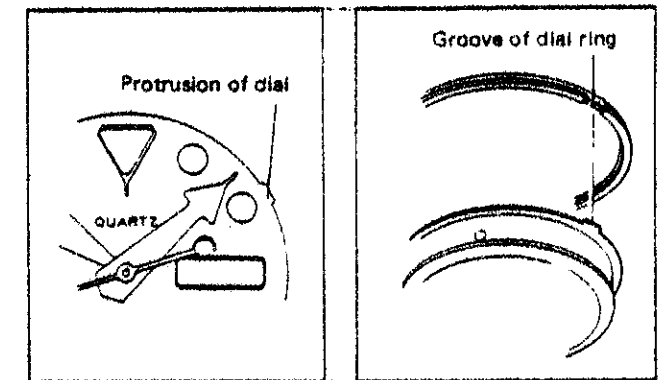
### ⑥ Gasket for rotating ring

Put fingers in the gasket and turn it to expand evenly, and place it inside the rotating ring firmly.



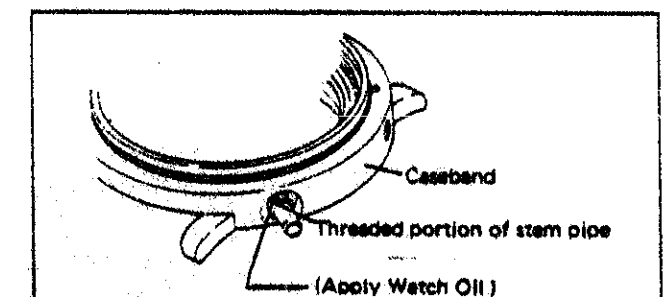
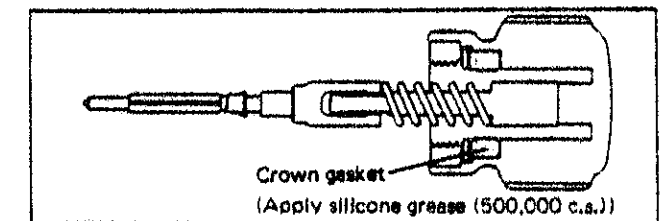
### ⑧ Movement with dial

Fit the protrusion of the dial to the groove of the dial ring for reassembling.



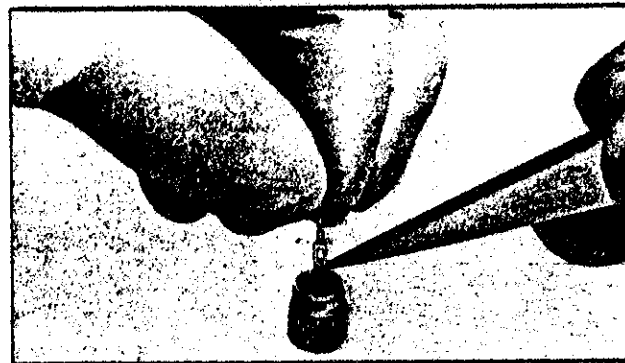
### ⑨ Stem with crown

After lubricating each portion indicated in the illustration, assemble the stem with crown slowly so that the stem and the crown gasket may not be damaged.

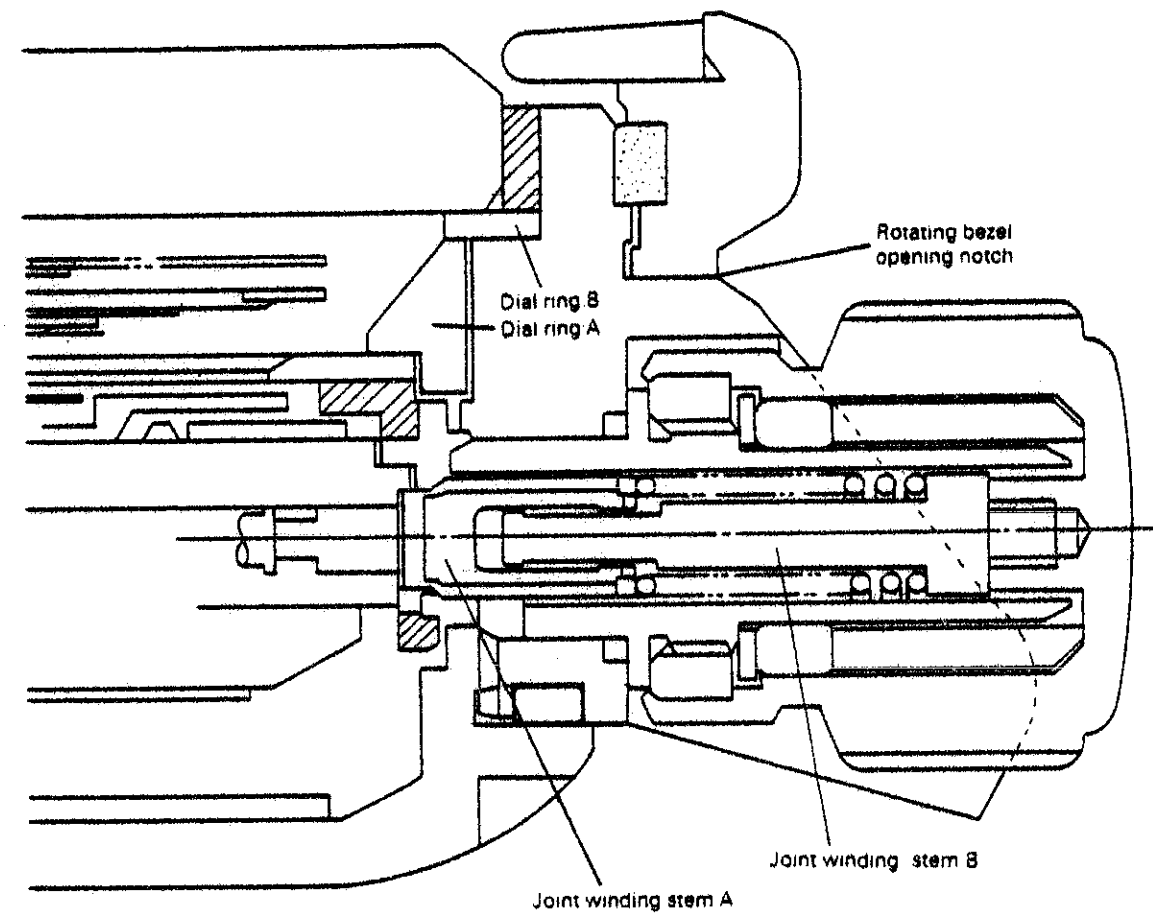


Y514 150m diver's watch cross-sectional view

- Reassemble the disassembled joint stem as shown in Photo.



- After the reassembling is completed, check the rotation of the rotating ring. If the rotating ring does not rotate smoothly, apply silicone grease (500,000 c.s.) to the gasket for rotating ring or replace it with a new one and if it rotates too smoothly, replace the gasket for rotating ring with a new one.



PARTS LIST OF MODULE (Y514)

PART NO.	PART NAME
122 750	Center wheel bridge
131 751	Third wheel bridge
221 750	Center wheel and pinion
225 611	Cannon pinion
231 750	Third wheel and pinion
241 750	Fourth wheel and pinion
261 611	Minute wheel
271 611	Hour wheel
282 601	Clutch wheel
372 601	Winding stem A
373 617	Winding stem B
383 601	Setting lever
384 601	Yoke (Clutch lever)
387 602	Minute wheel bridge
388 601	Setting lever spring
390 601	Setting lever axle
391 750	Second-setting lever
701 750	Fifth wheel and pinion
801 610	Date dial
802 601	Date driving wheel
803 753	Setting wheel lever complete
808 601	Date dial guard A
808 602	Date dial guard B
810 601	Date jumper
817 611	Intermediate date wheel
868 601	Date finger
884 752	Holding ring for dial
4001 751	Circuit block
4002 750	Coil block
4146 750	Step rotor
4225 753	Battery clamp
4239 750	Rotor stator
4242 754	Plus terminal of battery connection
4259 750	Back plate
4455 750	Reset lever
022 257	Setting lever spring screw
022 468	Center wheel bridge screw
022 468	Third wheel bridge screw
022 468	Screw for plus terminal of battery connection
022 468	Circuit block screw
022 468	Date driving wheel screw
022 491	Minute wheel bridge screw
022 494	Reset lever screw
022 648	Holding spring for battery screw
022 750	Date dial guard screw
022 761	Dial screw
011 325	Upper hole jewel for fourth wheel
011 405	Upper hole jewel for fifth wheel
011 405	Lower hole jewel for fifth wheel
011 537	Upper hole jewel for step rotor
011 537	Lower hole jewel for step rotor
027 508	Washer for holding spring screw of battery
U.C.C.301	
MAXELL	
SR43SW	
SONY	
EVEREADY	Silver oxide battery
301	